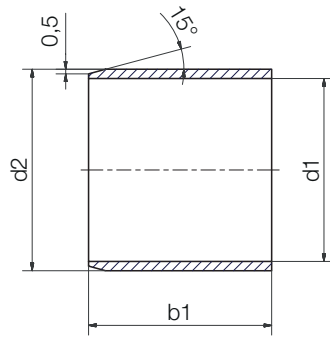


## iglidur® TX1 | 產品範圍

## 軸襯套 (型號 S)


 產品型號

類型	尺寸 [mm]
<b>TX1 S M_20 25_20</b>	
iglidur® 材質	
型號 S	
公制	
內徑 - Ø d1	
外徑 - Ø d2	
長度 b1	

## 尺寸 [mm]

d1	d1-公差 <sup>38)</sup>	d2	b1 ±0.25	產品型號
20.0	+0.020 +0.150	25.0	20.0	TX1SM-2025-20
20.0	+0.020 +0.150	25.0	30.0	TX1SM-2025-30
20.0	+0.020 +0.150	25.0	40.0	TX1SM-2025-40
20.0	+0.020 +0.150	30.0	30.0	TX1SM-2030-30
25.0	+0.020 +0.150	30.0	20.0	TX1SM-2530-20
25.0	+0.020 +0.150	30.0	30.0	TX1SM-2530-30
25.0	+0.020 +0.150	30.0	40.0	TX1SM-2530-40
30.0	+0.020 +0.150	35.0	30.0	TX1SM-3035-30
30.0	+0.020 +0.150	35.0	40.0	TX1SM-3035-40
30.0	+0.020 +0.150	40.0	40.0	TX1SM-3040-40
40.0	+0.020 +0.150	45.0	40.0	TX1SM-4045-40
40.0	+0.025 +0.175	50.0	50.0	TX1SM-4050-50
50.0	+0.025 +0.175	55.0	50.0	TX1SM-5055-50
50.0	+0.025 +0.175	60.0	60.0	TX1SM-5060-60
60.0	+0.025 +0.175	65.0	60.0	TX1SM-6065-60
60.0	+0.025 +0.175	70.0	80.0	TX1SM-6070-80
70.0	+0.025 +0.175	75.0	60.0	TX1SM-7075-60
70.0	+0.050 +0.200	80.0	100.0	TX1SM-7080-100
80.0	+0.050 +0.200	85.0	100.0	TX1SM-8085-100
80.0	+0.050 +0.200	90.0	100.0	TX1SM-8090-100

<sup>38)</sup> 壓配在標準尺寸的軸承座後